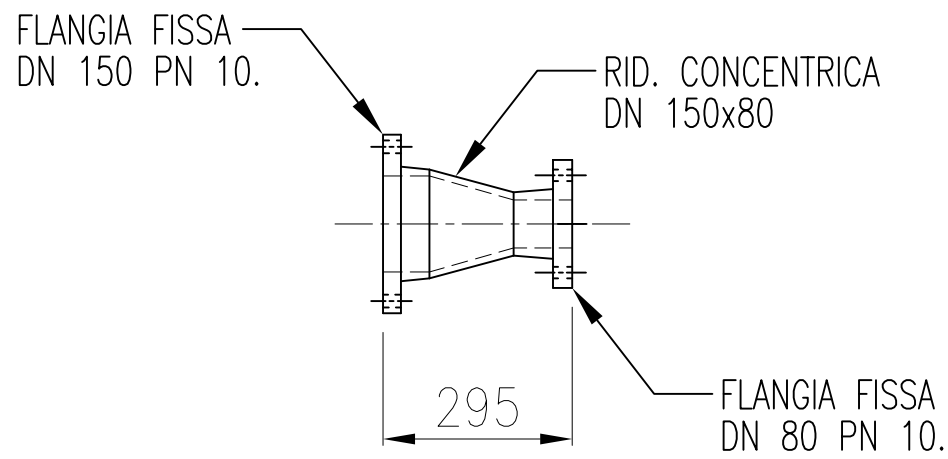
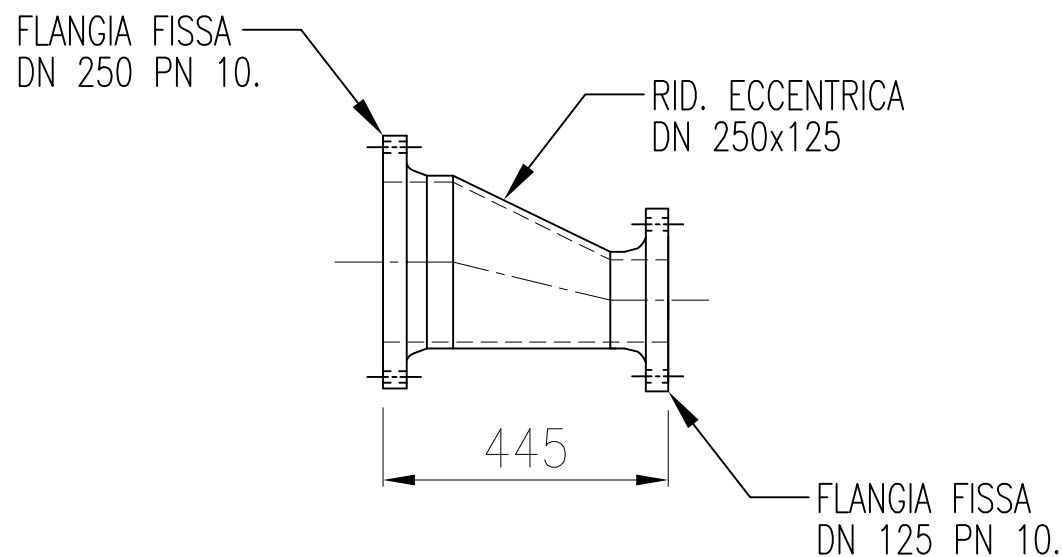


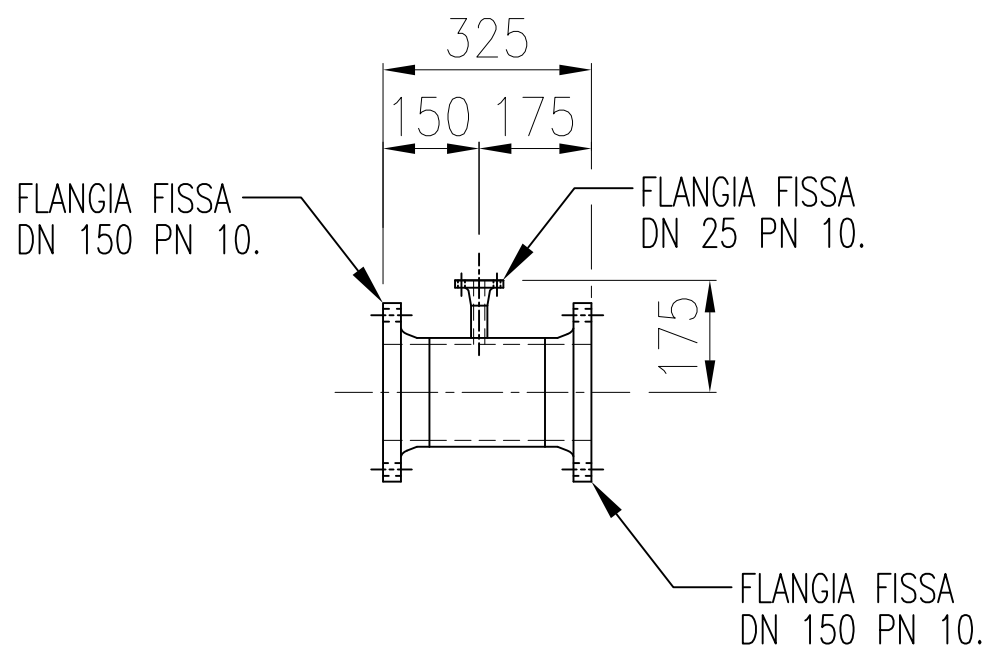
No.2 TUBAZIONE RIDOTTA DN 80x150 IN PRFV (Vinilestere)
 Vs. Ordine No. 297 del 02/03/17 Art.10430.



No.2 TUBAZIONE RIDOTTA DN 125x250 IN PRFV (Vinilestere)
 Vs. Ordine No. 297 del 02/03/17 Art.10431.



No.1 TEE RIDOTTA DN 150x25 IN PRFV (Vinilestere)
 Vs. Ordine No. 297 del 02/03/17 Art.10432.



- MATERIALE DI COSTRUZIONE: PRFV (RESINA EPOXI VINILESTERE)

0		EMESSO PER APPROVAZIONE	S.C.	08-03-2017
N°	REVISION DESCRIPTION		DRG. BY	APP. BY DATE
<small>THIS DRAWING AND THE INFORMATION REVEALED BY IT IS SUBMITTED WITH THE UNDERSTANDING THAT IT IS THE CONFIDENTIAL AND PROPRIETARY PROPERTY OF P. GLASS S.r.l. AND IT IS NOT TO BE DISCLOSED TO OTHERS WITHOUT WRITTEN PERMISSION. UNAUTHORIZED USE IS EXPRESSLY FORBIDDEN. ALL DOCUMENTS MUST BE RETURNED UPON REQUEST.</small>				
CUSTOMER :		Plastic Glass S.r.l.		
SILEA S.p.A.		SET TUBAZIONI IN PRFV		
Vs. Rif. ORDINE No.				
297 del 02/03/2017				
SITE :				
VALMADRERA (Le)				
DRG. BY :	S.C.	08-03-2017	SCALE : 1 : 15	DRAWING NUMBER
APP. BY :	-	-	DRAWING SIZE :	REV
			A0 A1 A2 A3	PG-DW-17.016
				0